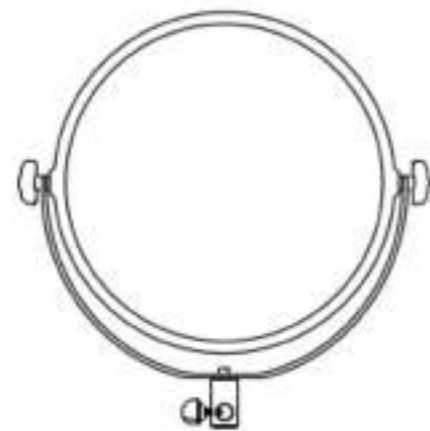


# MITOYA

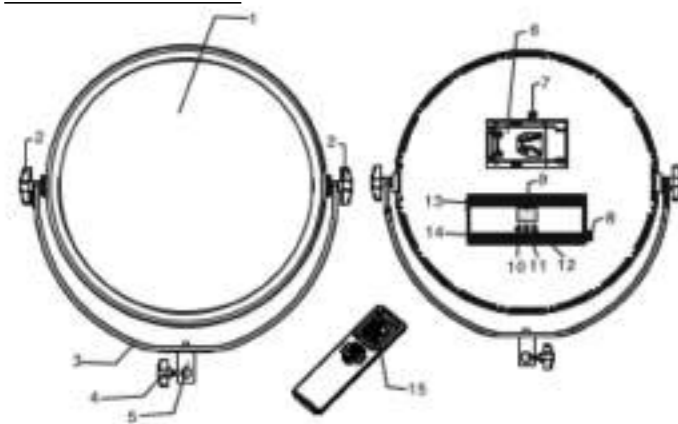
## LED LIGHT SUN70



User manual

Thank you for choosing MITOYA products! By purchasing the MITOYA SUN70 LED light you have received a modern continuous light source. Use the lamp only as intended. Before use, read this manual and keep it for future reference.

### LAMP CONSTRUCTION



LED panel 2. Tilt angle adjustment knob 3. U-shaped yoke 4. Clamp knob for stand mounting 5. 16 mm stand mount 6. Battery compartment 7. Battery compartment lock 8. Power / color temperature control knob 9. LCD display 10. Power adjustment button 11. Color temperature adjustment button 12. Group/channel switch 13. Power switch 14. DC power input socket 15. Remote control

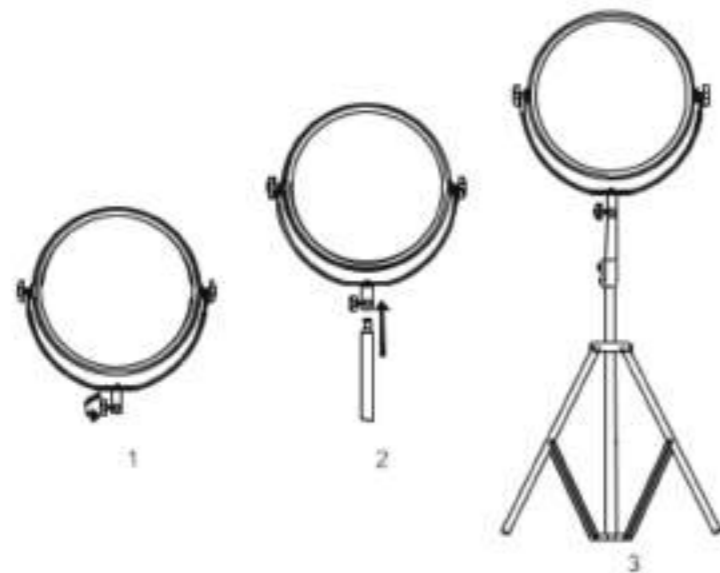
### CHARACTERISTICS

MITOYA SUN70 is a continuous LED light designed for photo and video use. It provides soft illumination and smooth adjustment of both brightness (0-100%) and color temperature (3200-5600 K). The LED ring contains 300 LEDs (150 x 3200 K and 150 x 5600 K).

The lamp can be powered from mains using the included power supply, or from a V-Mount / V-Lock battery (not included). SUN70 is designed for mounting on studio/light stands with a 16 mm spigot. A stand is not included.

### MOUNTING THE LAMP ON A STAND

Turn the mounting clamp knob to loosen the bracket.  
Place the lamp onto a compatible stand with a 16 mm spigot  
Tighten the clamp knob firmly to lock the lamp in place.



### TILT ANGLE ADJUSTMENT

Loosen the side knob.  
Set the desired tilt angle.  
Tighten the knob again.

**WARNING!** While adjusting the tilt angle, always support the lamp until it is fully locked in position.

### POWERING THE LAMP - MAINS

Use the included power supply and connect it to the DC input socket.

Plug the power supply into a wall outlet.

Turn the lamp on with the power switch.

### POWERING THE LAMP - BATTERY

Mount a compatible V-Mount / V-Lock battery on the rear plate (battery not included).

Turn the lamp on with the power switch.



### LCD Screen:

The lamp features an auxiliary LCD display that shows the current operating parameters: brightness level, color temperature, battery status (if batteries are being used), as well as the channel and group the lamp is assigned to.

### Changing light output (brightness):

To adjust the lamp's output, press button (10) and turn knob (8).

Turn clockwise to increase brightness in 1% steps.

Turn counterclockwise to decrease brightness in 1% steps.  
Minimum output is 0%, maximum output is 100%.  
Press button (10) again to confirm the setting. If you do not confirm, the lamp will store the setting automatically after 10 seconds of inactivity.

### Changing color temperature (CCT):

To adjust the color temperature, press button (11) and turn knob (8).

Turn clockwise to increase color temperature in 100 K steps.

Turn counterclockwise to decrease color temperature in 100 K steps.  
The available range is 3200 K to 5600 K.  
Press button (11) again to confirm the setting. If you do not confirm, the lamp will store the setting automatically after 10 seconds of inactivity.

### Group / Channel operation:

To change the group or channel assigned to the lamp, press button (12) and turn knob (8).

Turn clockwise or counterclockwise to select the desired group. The lamp can operate in one of three groups: A, B, C.

Press button (12) again to switch to channel selection, then turn knob (8) clockwise or counterclockwise to change the channel. The lamp supports channels 01 to 40.

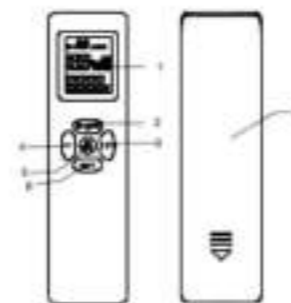
Press button (12) once more to confirm the setting. If you do not confirm, the lamp will store the setting automatically after 10 seconds of inactivity.

**WARNING:** When using the wireless remote, make sure both devices are set to the same group and channel.

### Wireless remote:

The wireless remote requires two AAA batteries (not included). Before use, insert compatible batteries into the battery compartment (7), following the polarity markings.

Press and hold the ON/OFF button (5) on the remote for 1 second - the remote's LCD screen (1) will turn on and the remote will start operating. After 15 seconds of inactivity, the remote enters sleep mode. To wake it up, press any button on the remote.



### Remote control - channel / group selection:

After turning on the remote, press the CH/GRP button (2) to enter channel or group selection. When the group value on the display starts blinking, press + (3) or - (4) to switch between groups A, B, C, or to change the channel within the range 01-40. If no selection is made, the display stops blinking after 10 seconds.

### Changing lamp parameters (remote):

After the devices are successfully paired (the lamp and the remote are set to the same group and channel), you can remotely control the lamp's brightness and color temperature.

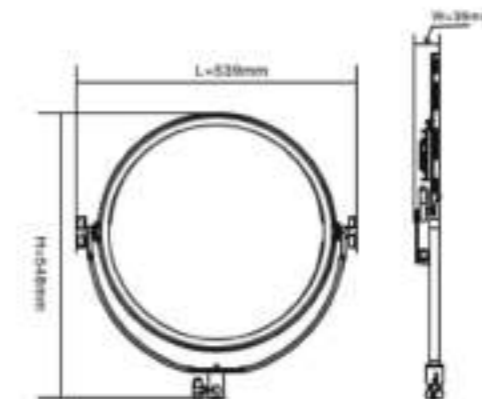
Press the SET button (6) to switch between brightness adjustment and color temperature (CCT) adjustment. Change the selected value using the + and - buttons.

Brightness adjustment: changes in 1% steps. Press and hold + or - to change in 5% steps. Minimum brightness is 0%, maximum is 100%.

Color temperature adjustment: changes in 100 K steps. The available range is 3200 K to 5600 K.

### Lamp dimensions:

Overall height: 548 mm  
Overall width: 539 mm  
Overall LED panel thickness: 38 mm



### Warnings:

The lamp is not intended for use in harsh weather conditions - protect it from rain and dust.

Protect the lamp from drops and strong impacts.

The permissible operating temperature range is 0 to 40°C. If the lamp heats up beyond this range, stop using it and contact service.

Do not cover the ventilation openings on the housing - blocking them may cause an uncontrolled rise in internal temperature and lead to fire.

Do not place the lamp very close to the subject's eyes - it may cause eyesight damage.

Do not use the lamp in the immediate vicinity of flammable products/materials - the heat generated by the lamp may cause a fire.

After finishing work, remove the batteries from the lamp / unplug the power adapter from the outlet.

After use, wait until the lamp cools down before packing it into a bag / cover / case. High temperature may negatively affect the white LEDs, causing their color to shift toward yellow.

### Technical specification:

LED count: 360 (180 x 3200 K, 180 x 5600 K)  
Power consumption: 70 W  
Illuminance: 1800 lux @ 1 m  
Color temperature range: 3200-5600 K ± 100 K  
CCT adjustment: 3200-5600 K in 100 K steps  
Groups (GR): 3 (A, B, C)  
Channels (CH): 40 (01-40)  
Remote control: Yes, up to 50 m with no obstacles | 2.4G  
CRI: 95+  
Beam angle: 120°  
LCD display: Yes  
Displayed parameters: brightness, color temperature, battery level, group, channel  
Mains power: 15 V 4.8 A  
Battery power: 1 x V-Lock battery  
Connectors: DC power input socket  
Net weight: 3320 g  
Overall dimensions: 539 x 548 x 38 mm  
Operating temperature: 0-40°C  
Storage temperature: -10 to 55°C  
Permissible humidity: 20-80%

Distribution and contact:

MITOYA Photography Store  
ul. Racjonalizacji 5  
02-673 Warsaw  
e-mail: sklep@mitoya.pl  
phone: (22) 295 12 04