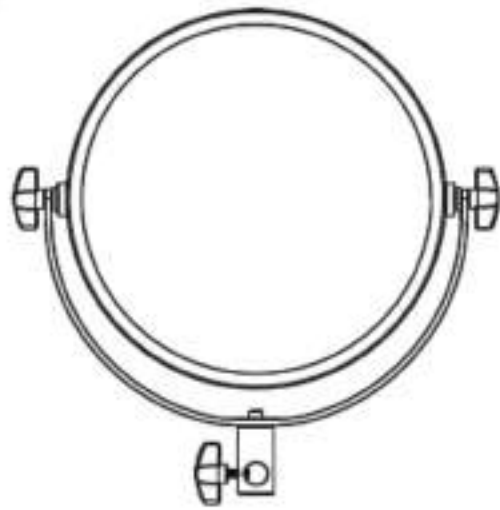


MITOYA

SUN35 LED LIGHT



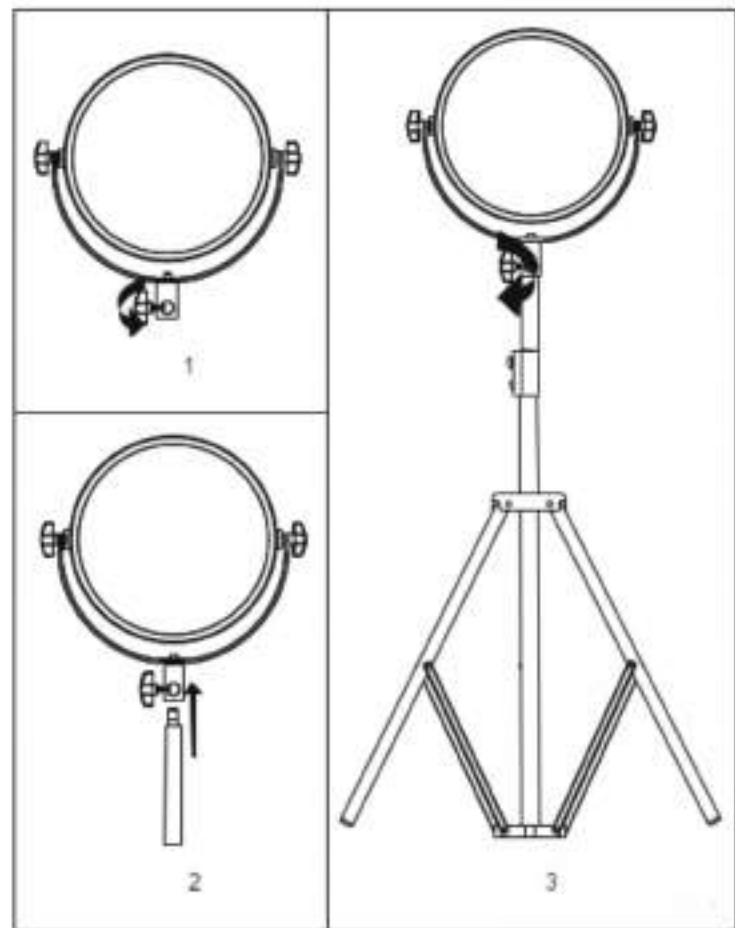
CHARACTERISTICS:

MITOYA SUN35 is an efficient continuous light source with a distinctive design that provides soft, attractive illumination. Its aluminum housing keeps weight low, improves durability, and supports passive cooling. The lamp offers smooth brightness adjustment from 0 to 100% and color temperature adjustment from 3200 to 5600 K. An LCD display makes it easier to monitor and change settings. The circular panel contains 272 LEDs and is mounted in a semi-circular yoke that allows full 360° rotation.

The lamp can be powered from mains (power adapter included) or by using NP-F series batteries (not included). It is designed for mounting on a studio/light stand with a 16 mm spigot. The stand is not included and must be purchased separately.

MOUNTING THE LAMP ON A STAND:

1. Turn the clamp knob (3) on the mounting bracket counterclockwise (Fig. 1).
2. Place the lamp on a compatible stand with a 16 mm spigot (Fig. 2).
3. Turn the clamp knob clockwise to tighten (Fig. 3).



TILT ANGLE ADJUSTMENT

Loosen the two side locking knobs located on the left and right sides of the lamp (2).

Adjust the lamp position as needed.

Tighten both side locking knobs again.

WARNING! While adjusting the tilt angle, support the panel at all times - from loosening until fully tightening the side clamps (2).

POWERING THE LAMP - BATTERIES

Use one or two NP-F batteries and insert them into the battery bays on the rear panel of the lamp - correct installation is indicated by the battery bay lock clicking into place.

Turn the lamp on by setting the power switch to position "I".

POWERING THE LAMP - AC POWER SUPPLY

Use a compatible 15 V 3 A power adapter and connect it to the lamp's power input socket.

Plug the power adapter into a wall outlet.

Turn the lamp on by setting the power switch to position "II".

To turn the lamp off, move the power switch to position "O".

WARNING! When operating from mains power, the lamp does not charge NP-F batteries. To charge NP-F batteries, an external compatible charger is required (not included).

LCD SCREEN

The lamp features an auxiliary LCD display that shows the current operating parameters: brightness level, color temperature, and battery status (if the lamp is running on batteries).

CHANGING LIGHT OUTPUT (BRIGHTNESS)

To adjust brightness, press button (11) and turn knob (9).

Turn clockwise to increase brightness in 1% steps.

Turn counterclockwise to decrease brightness in 1% steps. Minimum brightness is 0%, maximum is 100%. Current brightness settings are shown on the LCD display.

CHANGING COLOR TEMPERATURE (CCT)

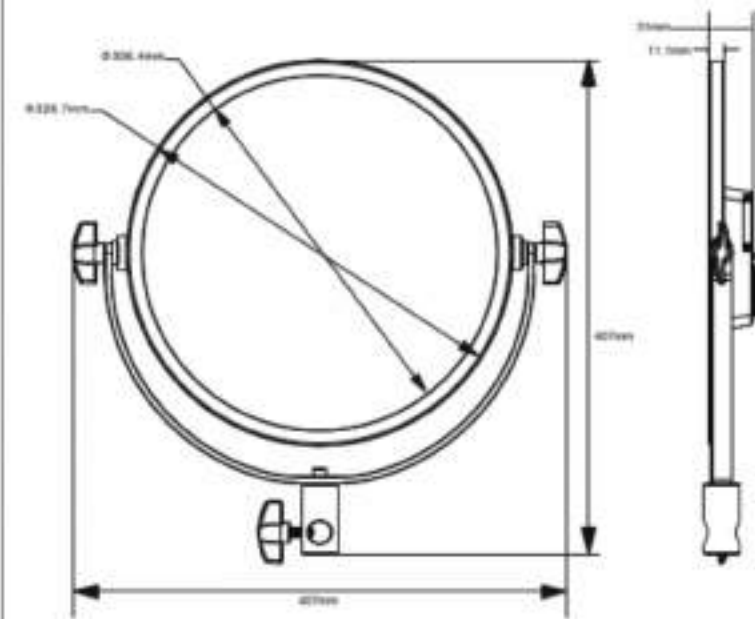
To adjust color temperature, press button (10) and turn knob (9).

Turn clockwise to increase CCT in 100 K steps.

Turn counterclockwise to decrease CCT in 100 K steps. The available range is 3200 K to 5600 K. Current color temperature settings are shown on the LCD display.

b

Overall height: 407 mm
Overall width: 407 mm
LED panel thickness: 11.1 mm
Overall thickness: 31 mm
Inner diameter (LED panel): 306.4 mm
Outer diameter (panel with rim): 328.7 mm



Warnings:

The lamp is not intended for use in harsh weather conditions - protect it from rain and dust.

Protect the lamp from drops and strong impacts.

The permissible operating temperature range is 0 to 35°C. If the lamp heats up beyond this range, stop using it and contact service.

Do not cover the ventilation openings on the housing - blocking them may cause an uncontrolled rise in internal temperature and lead to fire.

Do not place the lamp very close to the subject's eyes - it may cause eyesight damage.

Do not use the lamp in the immediate vicinity of flammable products/materials - the heat generated by the lamp may cause a fire.

After finishing work, remove the batteries from the lamp / unplug the power adapter from the outlet.

After use, wait until the lamp cools down before packing it into a bag / cover / case. High temperature may negatively affect the white LEDs, causing their color to shift toward yellow.

Technical specification:

LED count: 272 (136 x 3200 K, 136 x 5600 K)
Power consumption: 35 W
Illuminance: 1000 lux @ 1 m
Color temperature range: 3200-5600 K ± 100 K
CCT adjustment: 3200-5600 K in 100 K steps
CRI: 95+
LCD display: Yes
Displayed parameters: brightness, color temperature, battery level
Mains power: 15 V 3 A
Battery power: 2 x NP-F batteries
Connectors: DC power input socket
Net weight: 1550 g
Overall dimensions: 407 x 407 x 31 mm
Operating temperature: 0-35°C
Storage temperature: -10 to 55°C
Permissible humidity: 20-80%

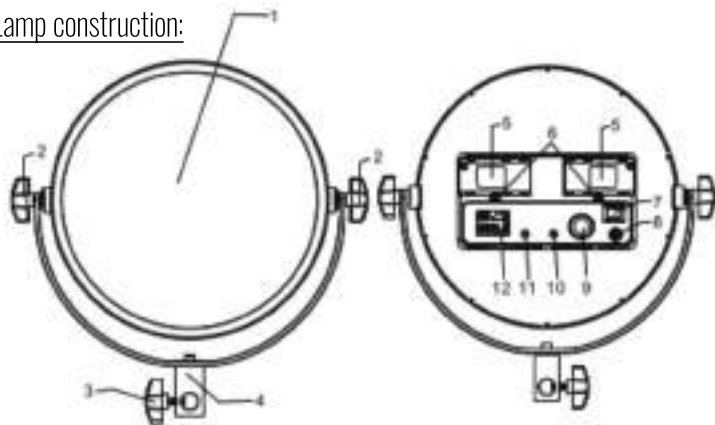
DISTRIBUTION AND CONTACT

MITOYA Photography Store
ul. Racjonalizacji 5
02-673 Warsaw
e-mail: sklep@mitoya.pl
phone: (22) 295 12 04

Preliminary notes:

Thank you for choosing MITOYA products! The SUN35 LED soft light is an advanced lighting unit. The lamp is an electrical device - improper use may cause failure or injury. Before use, read this manual and keep it for future reference and for third parties.

Lamp construction:



1. LED panel 2. Tilt angle adjustment knob 3. Stand mounting clamp knob 4. Stand mounting bracket 5. Battery compartment 6. Battery compartment lock 7. Power switch 8. DC power input socket 9. Brightness / color temperature adjustment knob 10. Color temperature adjustment button 11. Brightness adjustment button 12. LCD display