

MITOYA LED MOON LIGHT MTY294

2700-5600 K



TABLETOP LED COSMETIC LAMP 40 W
User manual [EN]

MITOYA MOON LIGHT MTY294 is a portable tabletop cosmetic lamp equipped with LED diodes. Its elongated, semi-circular panel evenly illuminates hands during care and styling treatments. The lamp offers smooth adjustment of power and color temperature in the 2700-5600 K range.

MOON LIGHT MTY294 uses mains power. Thanks to detachable, non-slip feet, it can be easily assembled and transported. The permanently mounted thick plastic diffuser effectively spreads the light from the LEDs. The light does not affect the performance of glues, polishes, or other cosmetic products.

CONTENTS OF THE SET

- » Semi-circular LED panel
- » Two feet
- » Mains power adapter 24 V / 2 A

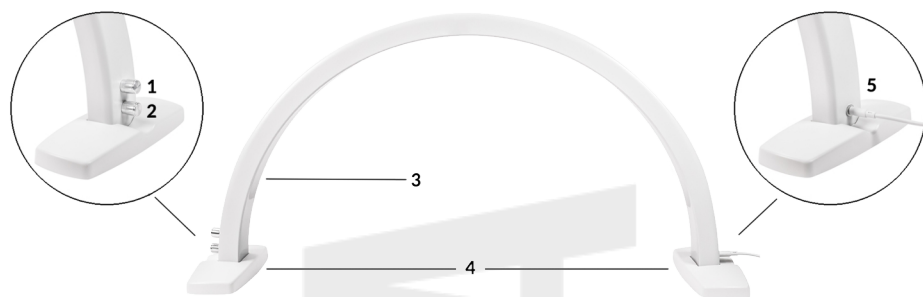
WARNINGS

- » To avoid fire or electric shock, do not expose the lamp to water or moisture.
- » To avoid a short circuit, make sure you are using a compatible and undamaged mains power adapter.

Stop using the lamp immediately if:

- » The product has been dropped, knocked over, or has come into contact with water or other liquids.
- » The LED panel housing is damaged and internal parts are visible.
- » The product emits an unpleasant odor or smoke is coming from it.

CONSTRUCTION



- 1) On/off switch / light power adjustment knob
- 2) Color temperature adjustment knob
- 3) LED diodes covered by diffuser
- 4) Non-slip feet
- 5) Mains power adapter socket (24 V / 2 A)

PREPARING FOR USE

The set includes two detachable feet. Before use, attach them to the ends of the LED panel. The feet have an identical design - each can be used on the right or left side. The LED panel has plastic latches that lock it in the mounting holes in the feet. Correct installation will be confirmed by a quiet click. After attaching the feet, connect the lamp to mains power.

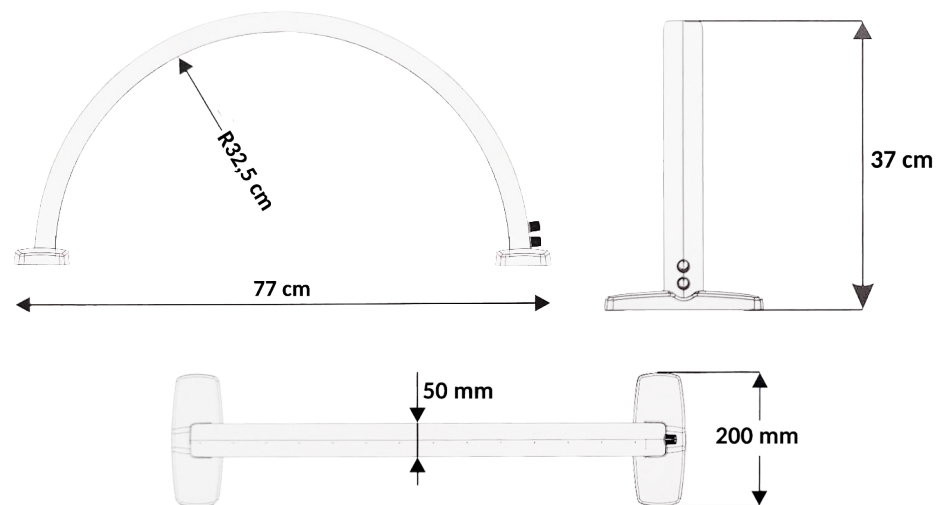
START-UP AND CHANGING LIGHT SETTINGS

The MITOYA MOON LIGHT MTY294 lamp is equipped with two function knobs located at the end of the LED panel.

- » Knob (1) is used to turn the lamp on and adjust light power. The light power is adjusted smoothly from 1 to 100%.
- » Knob (2) is used to adjust the color temperature from 2700 K (warm light) to 5600 K (cool light) in 100 K steps.

NOTE! The LED panel is factory-protected with a protective film. Remove the film before using the lamp.

TECHNICAL SPECIFICATIONS



Material	Plastic
Power supply	Mains 24 V 2 A (110 V / 240 V, 50 Hz / 60 Hz)
Power consumption:	40 W
Light power adjustment range	1-100% in 1 % steps
Color temperature adjustment range	2700-5600 K in 100 K steps
Color rendering index RA:	95+
Luminous flux	1600 lm
LED lifetime	50 000 h
Number of LEDs	294 (147 x 2700 K, 147 x 5600 K)

DISTRIBUTION AND CONTACT

s

Sklep Fotograficzny Mitoya | ul. Racjonalizacji 5 | 02-673 Warszawa

e-mail: sklep@mitoya.pl | phone: (22) 295 12 04