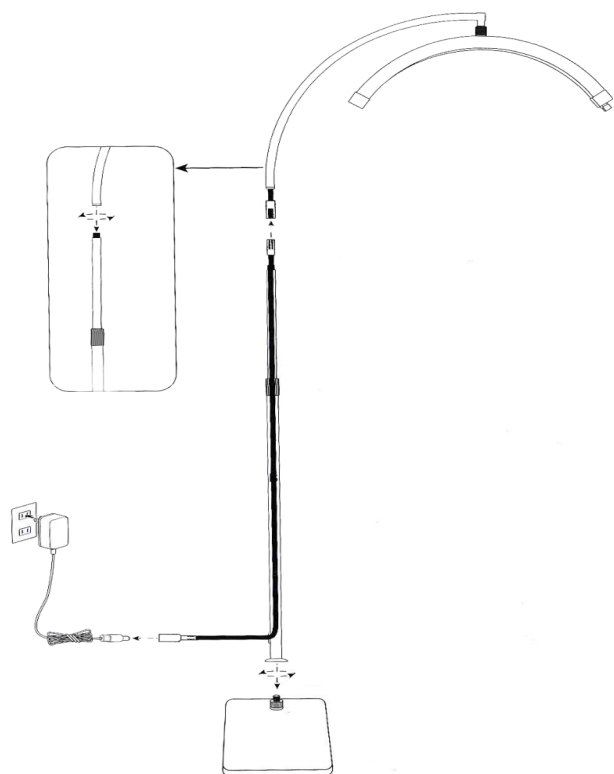


MITOYA LED MOON LIGHT

3000-6000 K



COSMETIC LAMP ON A STAND

Assembly instructions [EN]

Moon Light MTYM8X is an advanced, shadowless cosmetic lamp equipped with powerful and efficient LED diodes. Its elongated, semi-circular panel evenly illuminates the face during treatments. The lamp offers smooth adjustment of power and color temperature, height adjustment, and 360° head rotation.

The lamp is a product intended for self-assembly and for use in stationary beauty salons. Equipped with a mains power adapter, it requires constant access to an electrical outlet. Power consumption is 40 W.

CONTENTS OF THE SET

- 1 x Semi-circular LED panel
- 1 x Stand (3 parts)
- 1 x Floor base
- 1 x Mains power adapter 36 V / 1.5 A
- 1 x Power cable
- 1 x Phone holder

WARNINGS

- To avoid fire or electric shock, do not expose the lamp to water or moisture.
- To avoid a short circuit, make sure you are using a compatible and undamaged mains power adapter.

Stop using the lamp immediately if:

- The product has been dropped, knocked over, or has come into contact with water or other liquids.
- The LED panel housing is damaged and internal parts are visible.
- The product emits an unpleasant odor or smoke is coming from it.

CONSTRUCTION

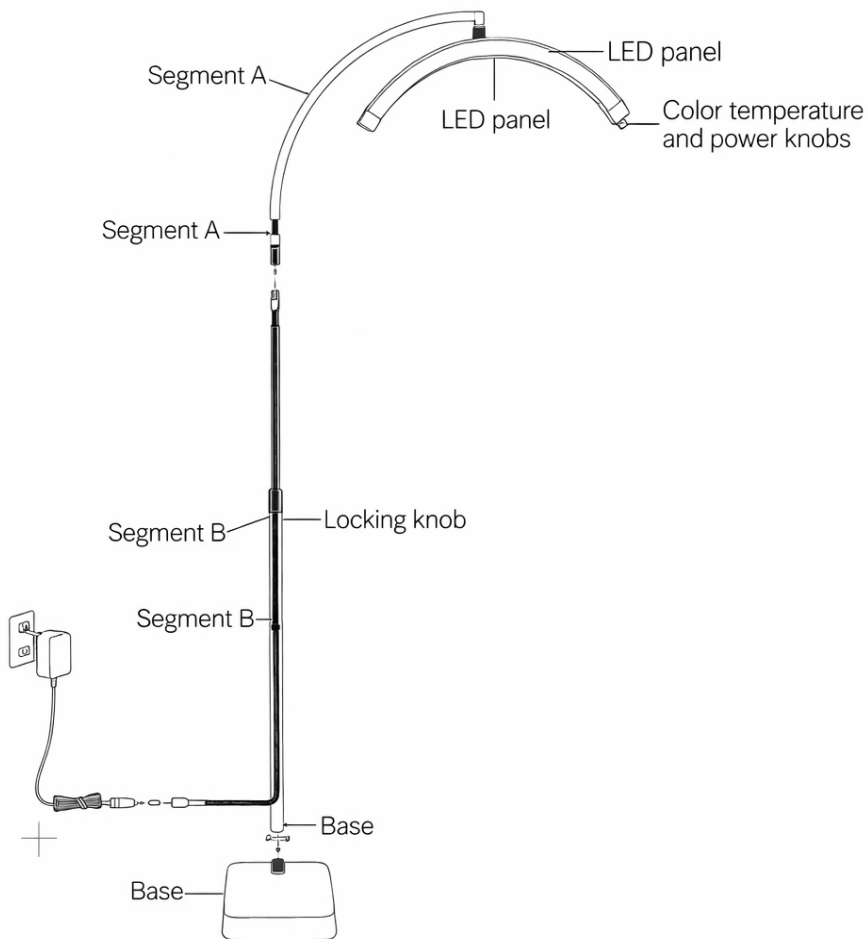
The MITOYA LED Moon Light Moon Light lamp is designed for self-assembly. No additional tools are required for proper assembly. During assembly, it is most

convenient to lay out all components on the floor and assemble them horizontally. Only after connecting all elements should you stand the lamp up and plug it into power.

The MITOYA LED The stand is made of metal and aluminum and consists of several parts:

- Floor base with anti-slip feet
- Vertical column made of segments B , A , and a telescopically extendable segment B connected to them
- Horizontal arm - segment A, connected to the LED panel via the power cable routed inside segment A

ASSEMBLY INSTRUCTIONS



I. Connect segment A to the LED panel

- Segment A is connected to the LED panel with the power cable. Pull the power cable downward so that segment A and the LED panel come close to each other.
- Tighten the LED panel to segment A using the locking knob.

II. Connect the floor base, the power cable, and segment B

- The power cable should run entirely inside the stand. Before tightening the individual stand segments, make sure the cable is routed correctly and is not overly tensioned.
- Screw segment B into the stand base.
- Insert the pulled-through cable into segment A (make sure the cable has already been routed through segment B). Now connect the compatible ends of the power cable.
- Gently pull the entire cable downward by holding the power adapter located near the floor base.
- When segments A and B are close enough, screw them together.

III. Stand height adjustment.

The stand height can be adjusted smoothly thanks to the telescopic design of segment B. To change the height, loosen the locking knob and extend segment B to the desired height.

NOTE! When changing the stand height, remember that there is a power cable inside the column. Each time you adjust the height, monitor both the cable and the mains power adapter.

- When lowering the height, remove excess cable by gently pulling the mains power adapter.
- When raising the height, control the position of the power adapter so the cable slides into the column safely and smoothly.

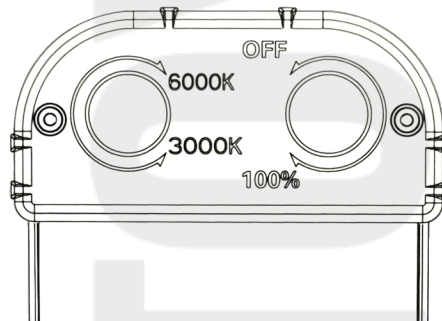
NOTE! When maneuvering the lamp, remember not to tilt it sideways - each time it should be positioned so that it tilts along the floor base. Otherwise, the center of gravity will be disturbed and the device may tip over.

TURNING ON THE LAMP AND CHANGING LIGHT SETTINGS

The MITOYA LED Moon Light lamp is equipped with two functional knobs located at the end of the LED panel.

- The OFF / 100% knob is used to turn the lamp on and adjust light power. The light power can be adjusted from 1 to 100% by turning the knob clockwise or counterclockwise. The change is in 1% steps.
- The 3000 K / 6000 K knob is used to control the color temperature of the light. The color temperature can be adjusted from 3000 K (warm light) to 6000 K (cool/blue light) by turning the knob clockwise or counterclockwise. The change is in 100 K steps.

NOTE! The LED panel is factory-protected with a protective film. Remove the film before using the lamp.



INSTALLING THE PHONE HOLDER

The phone holder included with the lamp consists of three parts:

- a short clamp arm with a ball head, intended for mounting on segment A
- a connector with a ball mount, a locking nut, and a 1/4 inch thread
- jaws with a spring clamp for mounting a phone and a 1/4 inch thread

To connect the above elements, screw the jaws and the connector together using the 1/4 inch thread -> then unscrew and remove the locking nut from the connector -> put the nut onto the ball head of the clamp arm -> place the connector onto the ball head

of the arm and tighten the locking nut, locking the connector on the ball head -> release the arm's mounting lock by bending the metal wire -> slide the holder onto segment A of the lamp stand -> clamp the lock -> make sure the holder is mounted correctly and securely.

TECHNICAL SPECIFICATIONS

Material	Aluminum alloy, plastic
Weight	5,2 kg
Stand height adjustment	124 – 178 cm
LED head position adjustment	360°
Light power adjustment	1 – 100% co 1 %
Color temperature adjustment	3000 – 6000 K co 100 K
Luminous flux	2000 lm
CRI	90+
Power consumption	40 W
Power supply	Mains

DISTRIBUTION AND CONTACT

Sklep Fotograficzny Mitoya
ul. Racjonalizacji 5
02-673 Warszawa

e-mail: sklep@mitoya.pl
phone: (22) 295 12 04